



Surface and Floor Drainage System

Residential U-drain Installation Guide



27157 Hwy 422
Box 119 RR1 Morris, MB R0G 1K0
Ph. 204.746.8200 Fax 204.746.8074
Toll Free. 855.746.8200
www.u-drain.ca

Before Your Start

Before you begin your project, it is recommended to have the following tools on hand to aid in the installation of your Norstar Industries Residential U-drain System;

- 9/16" Wrench and Socket
- Cordless Drill (optional)
- Sledge Hammer (to drive rebar)
- Level (transit or laser is optional)
- Duct Tape

Safety and Installation Tips

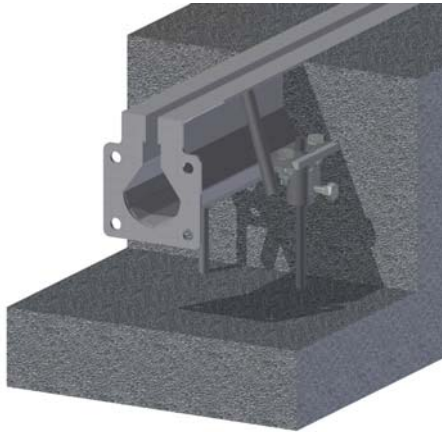
- Make sure the trench excavation allows for proper thickness and reinforcement specified by designer or engineer.
- Use a pencil vibrator to ensure that there are no air pockets around the drain assemblies.
- Lay out all U-drain sections prior to installation.
- Make all PVC pipe connections and sump pit installations, prior to connecting U-drain channels.
- Begin the installation at the outlet or discharge end and work backwards.
- After the concrete has set, remove all the Tape from the drain slot and use the Paddle to remove all debris from the U-Drain channel and Sump Pit.
- After the concrete has set, break out all metal tabs with a steel bar to ensure a continuous open slot in the U-Drain.



IMPORTANT! *Before starting, check building codes and local government ordinances for water drainage.*

U-drain Installation

1. Excavate a trench allowing room underneath and on both sides of the U-drain. There should be a minimum of 6" of concrete surrounding the U-drain.



2. It is recommended to pre-pour a concrete pad underneath the sump pit to it can be properly secured. If no pad is poured, peg the sump pit down before the U-Drain is connected.
3. Bolt all remaining sections of U-drain together. At the end of the last section, seal the drain with a Residential U-drain End Cap.



Norstar

INDUSTRY

4. Fasten the E-Z Mount Brackets at each U-drain bracket interval, using the hardware supplied. Pound appropriate lengths of rebar into your base material with the rebar running through the conduit portion of the E-Z Mount Bracket. Make sure that the tops of all sections are level. When the correct levels are achieved, tighten the set bolts on the E-Z Mount Brackets to secure the U-Drain.



5. Once the U-drain is secured to the E-Z Mount Brackets and the appropriate floor height is found, tie rebar from the floor grid into the rebar on the U-drain assembly, for structural support. Cover the slot opening with duct tape.



Norstar

INDUSTRIAL

6. Once the concrete slab is firm, break out all metal tabs with a steel bar to ensure a continuous open slot. Remove the tape from the slot and, using the Paddle, clean out the U-drain and sump pit.

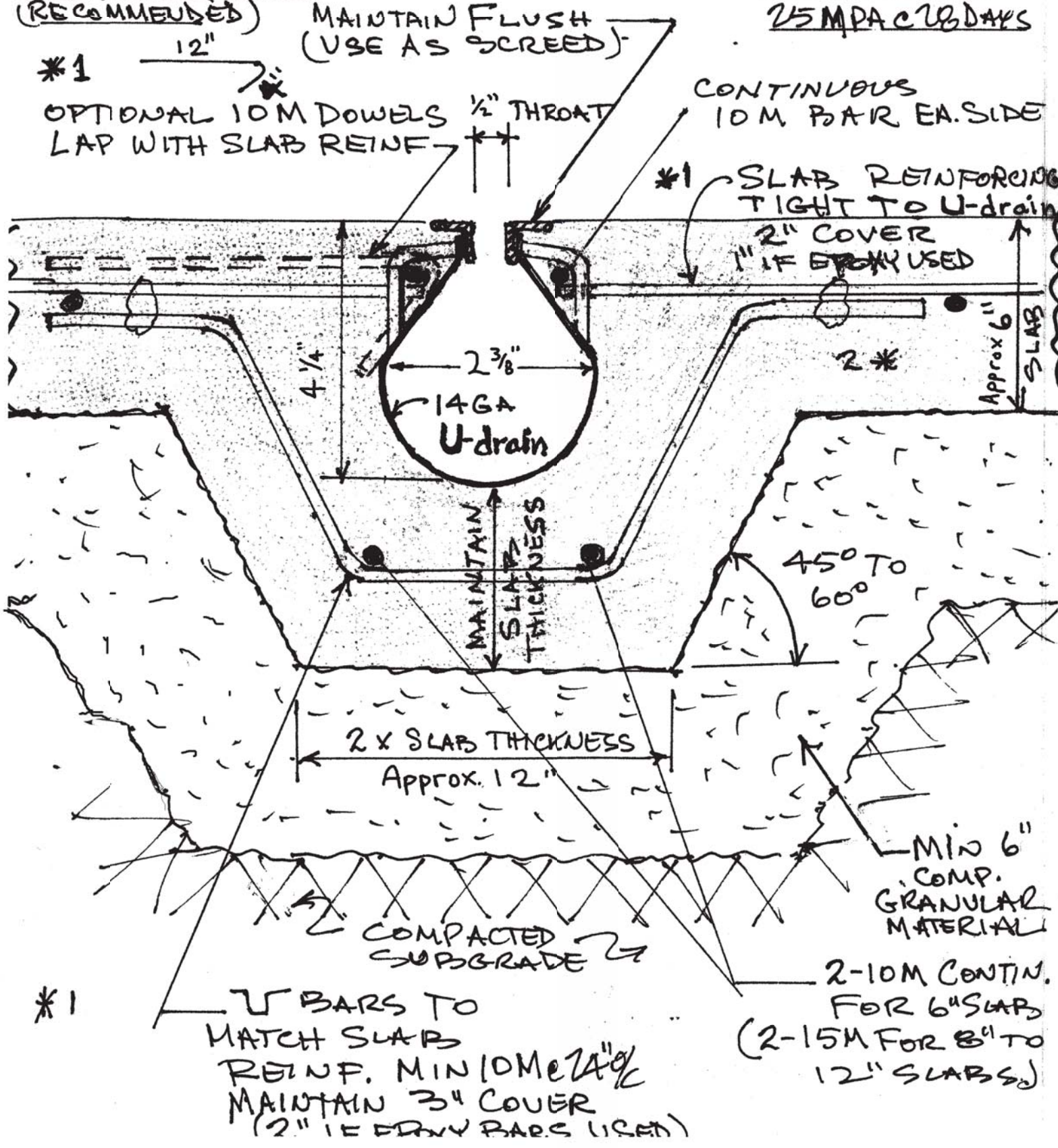


Project U-drain

Re RECOMMENDED SLAB
INSTALLATION
DETAIL

* NOTE #1
EPOXY REBAR OPTIONAL
(RECOMMENDED)

* NOTE #2
- CONCRETE MIN
25 MPAC 28 DAYS





PO Box 119 RR1 • Morris, Manitoba R0G 1K0 • Canada

Toll Free: (855) 746-8200 • Phone: (204) 746-8200

Fax: (204) 746-8074

e-mail: info@norstarindustries.ca

<http://www.norstarindustries.ca>

<http://www.u-drain.ca>